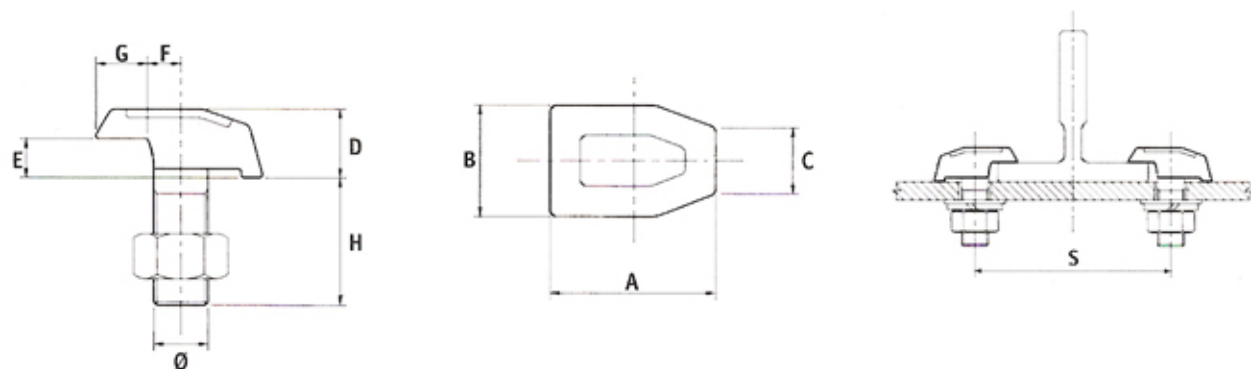


Different guide rails clips: according to definition with Customer

## T-Clips

Hot forged rigid guide rail clamping system. Recommended for application where guide rail stack movement is not expected. These clips come complete with threaded shank and nut. T-Clips are available both in burnished and zinc-coated finishing

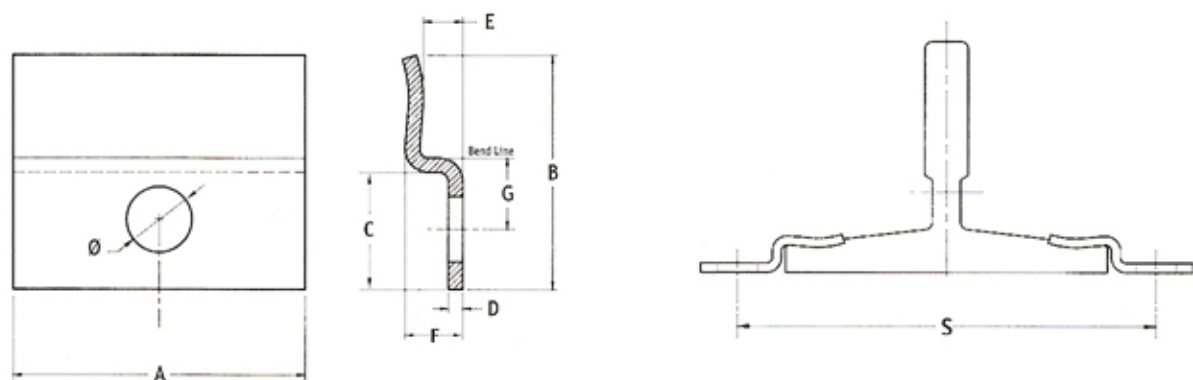
Monteferro Code	Applicable Guide Rail Size	Ø mm	A mm	B mm	C mm	D mm	E mm	F mm	G mm	H mm	S mm
Tolerances			±1,3	±1,3	+1,5/-0	±1	±1	±0,5	±1	±1,3	±2
T1	RT40	M10	32	22	15	12	5,5	5	11	23	50
	RT45										55
	RT50 - RF50										60
	RF65										75
T2	RT70 - RF70 - RF70.9	M12	39	26	16	15	7,3	6,5	13	27	83
	RF75 - RP75										88
	RF82 - RP82										95
	RT80										96
T3	RP78	M14	45	29	16	18,5	9,5	8	13	34	94
	RF89 - RP89										105
	RF90 - RP90										106
	RP114										131
T4	RP125	M16	50	34	16	20,5	10,5	8,5	15	40	142
	RP127-1/2 - RP127-2 c14										144
T5	RP140-1 - RP140-2	M18	55	37	18	23	13	11	17	42	162



## Sliding Clips

Pressed steel sliding guide rail clamping system. Recommended for application where guide rail stack movement is required due to thermal expansion or building settlement.

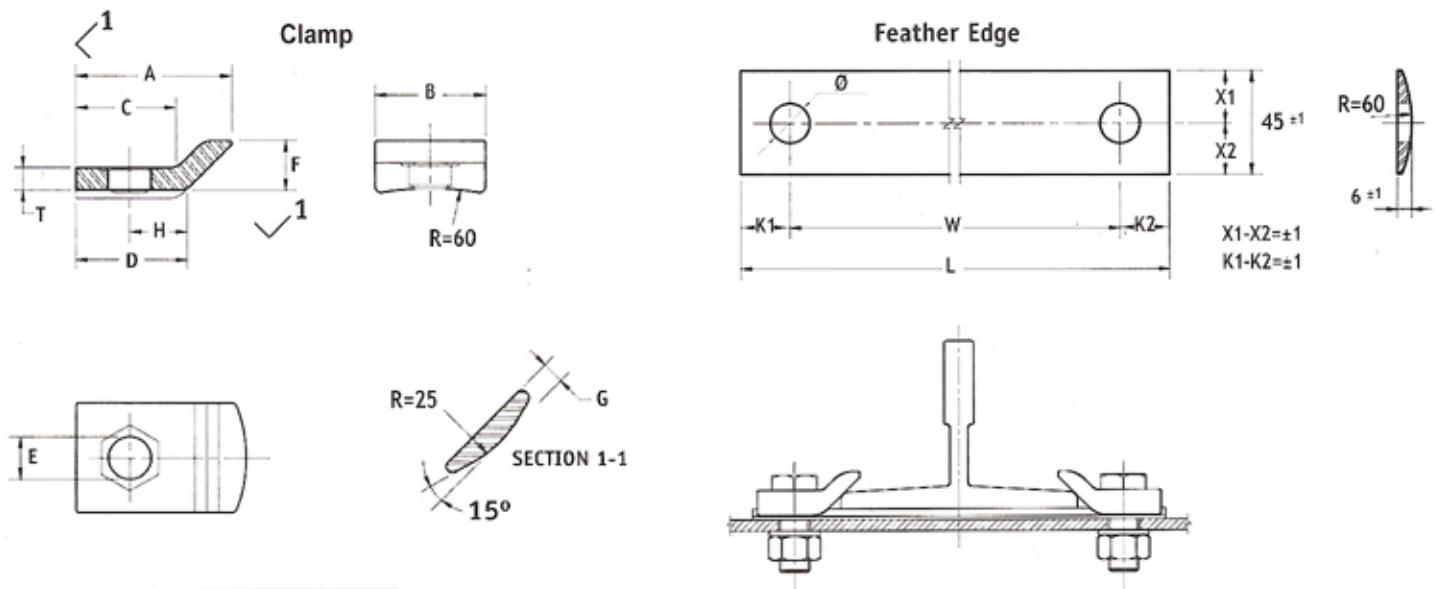
Monteferro Code	Applicable Guide Rail Size	Ø mm	A mm	B mm	C mm	D mm	E mm	F mm	G mm	S mm	Bolt size	
Tolerances			±0,5	±0,5	±0,5	±0,5	±0,1	±0,5	±0,5	±0,5	±2	
SL - P10	RF89 - RP89	15	76	70	31	5	9	14,5	18,5	128	M12x35	
	RF90 - RP90											128
	RP114											152
	RP125											162
	RP127-1											166
SL - P20	RP127-2 / RP127-2 c14	17,5	76	70	33	5	14,5	20,5	19	166	M16x50	
	RP140-1									178		



### Sliding Clamps

Hot forged sliding guide rail clamping system. Engineered to provide a point bearing contact used in conjunction with the Feather Edge radius guide rail seat. This clamp system provides the strength of a forged clip with the flexibility of the sliding clip.

Monteferro Code	Applicable Guide Rail Size	A mm	B mm	C mm	D mm	E mm	F mm	G mm	H mm	T mm	L mm	W mm	Ø mm	Bolt size
Tolerances		±1	±1	±0,5	±1	±0,5	±0,75	±0,5	±0,5	±0,5	±1,5	±0,75	±0,5	
SL-F 10	RT50 - RF50	44	40	29	33	14	20	8	18	7	129	95	17	M12x45
SL-F 20	RT70 - RF70 - RF70.9	44	40	29	33	14	20	8	18	7	151	117	17	M12x45
SL-F 30	RF75 - RP75 - RP78	44	40	29	33	14	20	8	18	7	156	122	17	M12x45
SL-F 40	RF89 - RP89 - RF90 - RP90	44	40	29	33	14	20	8	18	7	172	138	17	M12x45
SL-F 50	RP125 - RP127-1/2 - RP127-2 c14	55	45	35	38	18	25	9	18	10	227	183	21	M16x50
SL-F 60	RP140-1	55	45	35	38	18	25	9	18	10	242	198	21	M16x50
SL-F 70	RP140-2	55	45	35	38	18	25	9	18	10	250	206	21	M16x50



### Forged Clips

Hot forged rigid guide rail clamping system. Recommended for application where guide rail stack movement is not expected.

Monteferro Code	Applicable Guide Rail Size	A mm	B mm	C mm	D mm	E mm	F mm	G mm	M mm	Ø mm	S mm	Bolt size
Tolerances		±1,5	±1,5	±1,5	±1,5	±1,5	±1	±1,5	±1,5	±1	±2	
F 10	RF89 - RP89 - RF90 - RP90	41	22	19	41	10	18	8	12,5	14,5	115	M12
	RP114										150	
	RP125										162	
F 20	RP127-1/2 - RP127-2 c14	55,5	30	25,5	51	16	25,5	12,5	17,5	17,5	164	M16
	RP140-1										175	
F 30	RP140-2	70	38	32	65	16	25,5	12,5	24	20,5	188	M18
F 40	RP140-3	70	38	32	76	19	28,5	19	24	20,5	188	M18

